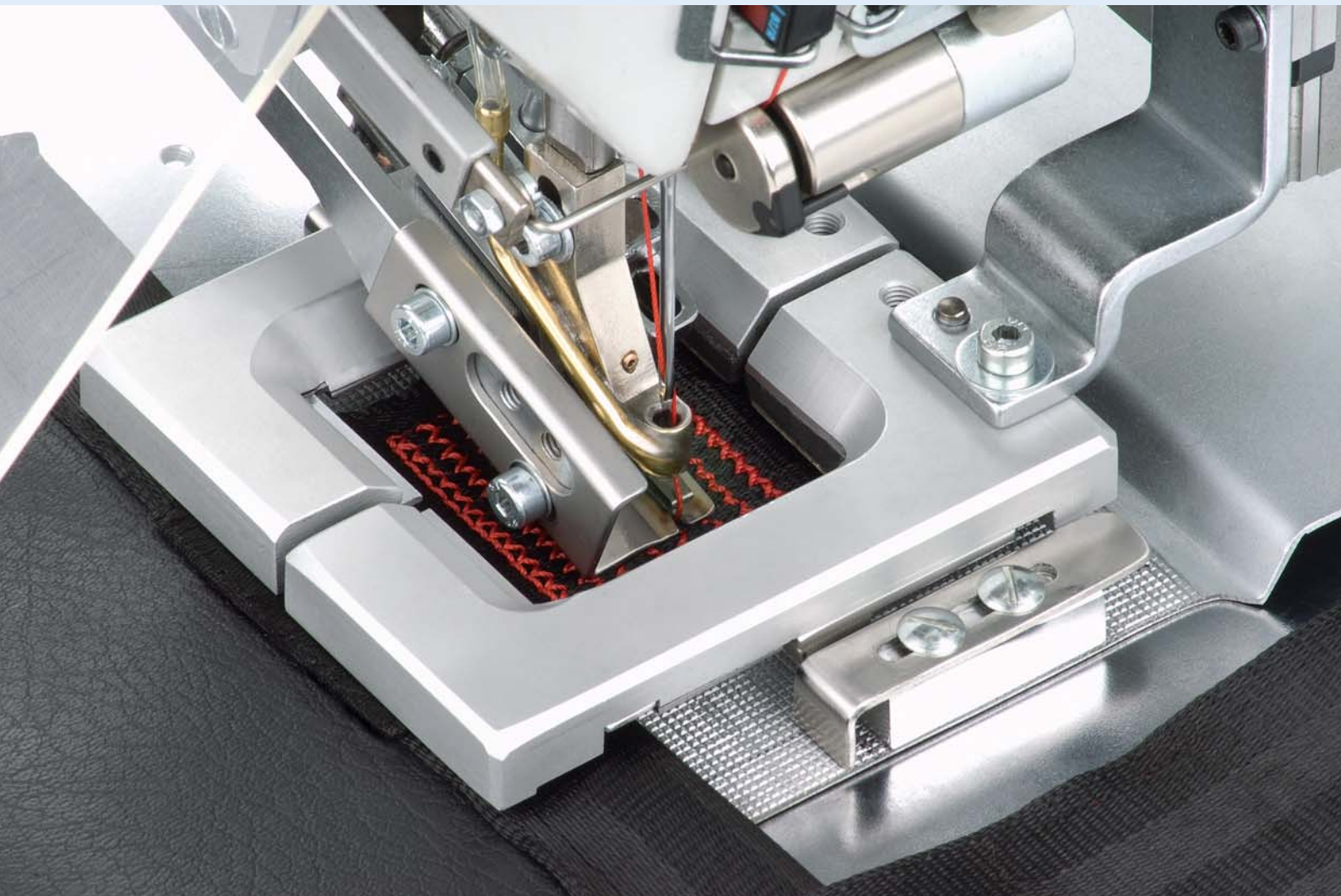


Application Center

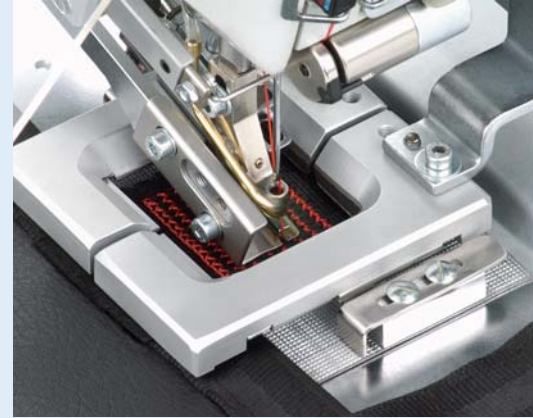
Individual system solutions

With its innovative special sewing machines, sewing automates and sewing units the Dürkopp Adler AG counts among the trendsetters in the field of sewing technology worldwide. The range of services offered also includes customer-specific applications and special solutions which are realized in a specially for this purpose established Application Center.



Burn-off device for needle thread and bobbin thread for a safe seam end

Burn-off device for needle thread and bobbin thread for a safe seam end

**Field of application**

Automotive, technical textiles

Branch/Customer

Leading European manufacturer of car interiors for the automotive industry

Problem

When sewing belt systems the thread ends have to be heat-sealed or burnt so that they do not splice when being used and the seam beginning as well as the seam end have to be secured against unravelling.

Solution

Due to the design of the burn-off device for needle thread and bobbin thread sewing threads up to 15/3 Nm can be processed with the 910-210. A special control of the thread burner shortens the cycle time usually required. No subsequent heat-sealing of the thread ends is necessary. By means of a special adjustment the thread burner can be adapted to material plies of different thickness. The operation sequence is integrated in the machine control. Thus, a reliable and precise function of the thread burner is ensured.

Special advantages

- No subsequent heat-sealing of the thread ends required – shorter cycle times
- Safe seam end
- Easy adaptation to different material plies

The consultants of the Dürkopp Adler Application Center will be pleased to inform you about the possibilities to realize your special application and to be at your disposal for individual advice.

Interested? We are looking forward to your enquiry. E-Mail: apc@duerkopp-adler.com, Phone: ++49 521 925-1719